

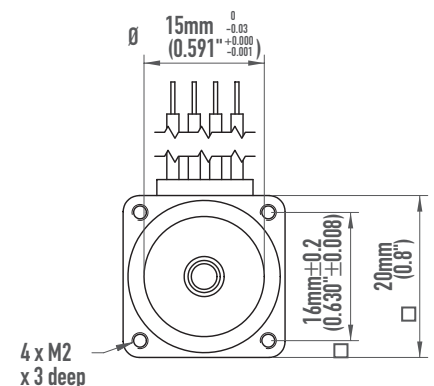
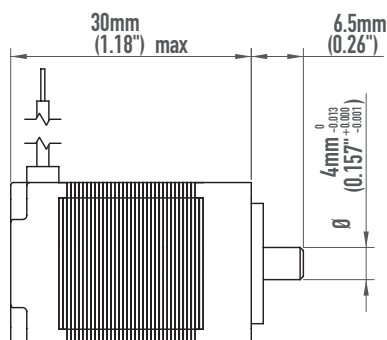
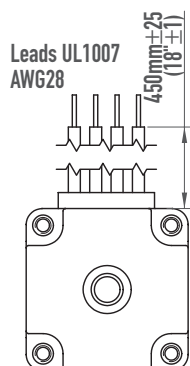
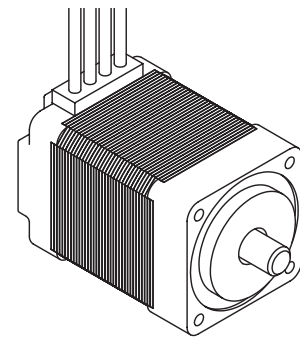
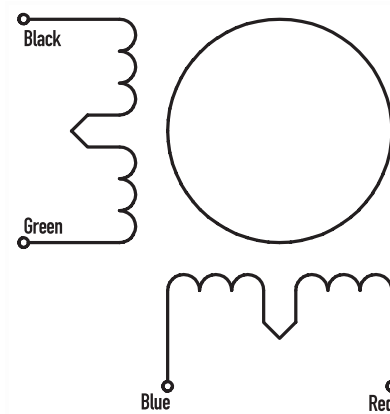




DSM2030H-14060

Step Angle		1.8°				
Holding Torque		18mNm	2.5oz-in			
Current (RMS)		Bipolar				
		600mA				
Winding Resistance (Ω)		6.5				
Winding Inductance (mH)		1.7				
Detent Torque						
Insulation Class		Class B, 100M Ω				
Mass		60g				
Bearings		Ball Bearings Japan				
Direction of Rotation		Step	Black	Green	Blue	Red
CW  CCW 	1	+	-	+	-	
	2	+	-	OFF	OFF	
	3	+	-	-	+	
	4	OFF	OFF	-	+	
	5	-	+	-	+	
	6	-	+	OFF	OFF	
	7	-	+	+	-	
	8	OFF	OFF	+	-	
Sequence shown is for half-step excitation. For full step excitation energise as steps 1.3.5.7						



DSM2033H-14060

Step Angle		1.8°				
Holding Torque		18mNm	2.5oz-in			
Current (RMS)		Bipolar				
		600mA				
Winding Resistance (Ω)		6.5				
Winding Inductance (mH)		1.7				
Detent Torque						
Insulation Class		Class B, 100M Ω				
Mass		60g				
Bearings		Ball Bearings Japan				
Direction of Rotation		Step	Black	Green	Blue	Red
CW  CCW 	1	+	-	+	-	
	2	+	-	OFF	OFF	
	3	+	-	-	+	
	4	OFF	OFF	-	+	
	5	-	+	-	+	
	6	-	+	OFF	OFF	
	7	-	+	+	-	
	8	OFF	OFF	+	-	
Sequence shown is for half-step excitation. For full step excitation energise as steps 1,3,5,7						

Label Details


DSM2033H14060
BIPOLAR 600mA
Made in China

