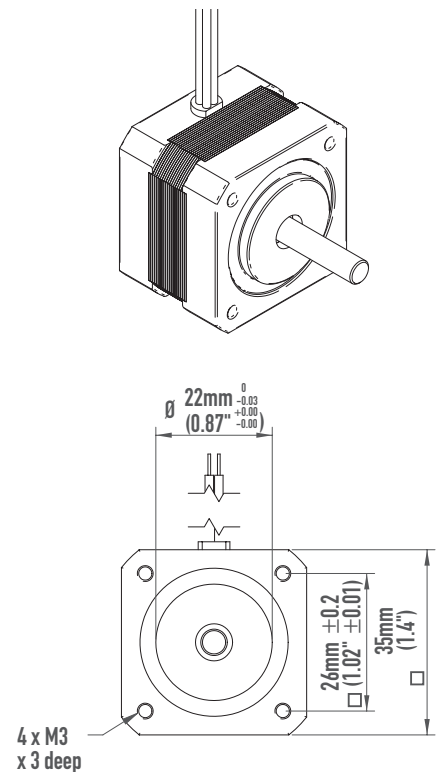
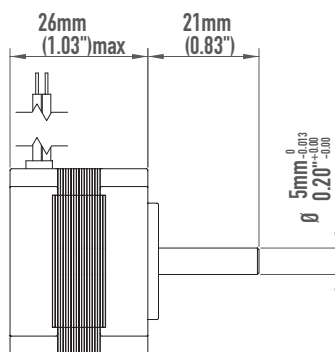
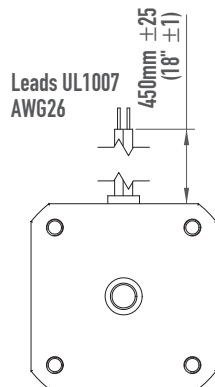
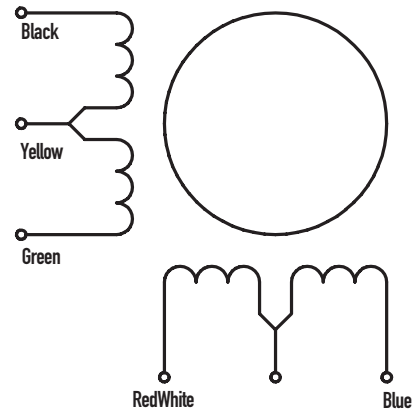


## DSM3526H-16040

Step Angle		1.8°				
Step Angle Accuracy		±5				
Holding Torque (Bipolar)		55mNm	7.5oz-in			
Current (RMS)		Bipolar	Unipolar			
		0.9A	0.65A			
Winding Resistance (Ω)		15				
Winding Inductance (mH)		7.5				
Detent Torque		10mNm	1.4oz-in			
Rotor Inertia (gcm <sup>2</sup> )		10				
Insulation Class		Class B, 100M Ω				
Mass		150				
Bearings		Ball Bearings 695ZZ				
Direction of Rotation		Step	Yellow +VE		White +VE	
			Black	Green	Red	Blue
		1	ON	OFF	ON	OFF
		2	ON	OFF	OFF	OFF
		3	ON	OFF	OFF	ON
		4	OFF	OFF	OFF	ON
		5	OFF	ON	OFF	ON
		6	OFF	ON	OFF	OFF
		7	OFF	ON	ON	OFF
		8	OFF	OFF	ON	OFF
Sequence shown is for half-step excitation. For full step excitation energise as steps 1,3,5,7						

Label Details	
DSM3526H-16040	
BIPOLAR 0.28A	
UNIPOLAR 0.4A	
Made in China	



## DSM3526H-14080

Step Angle		1.8°				
Step Angle Accuracy		±5				
Holding Torque		55mNm	7.5oz-in			
Current (RMS)		Bipolar				
		830mA				
Winding Resistance (Ω)		4				
Winding Inductance (mH)		2.3				
Detent Torque		10mNm	1.4oz-in			
Rotor Inertia (gcm <sup>2</sup> )		10				
Insulation		Class B, 100M Ω				
Mass		150g				
Bearings		Ball Bearings 695ZZ (China)				
Direction of Rotation		Step	Red	Black	Yellow	White
<div style="display: flex; justify-content: space-around;"> <div style="text-align: center;"> <p>CW</p> <p>↑</p> </div> <div style="text-align: center;"> <p>CCW</p> <p>↓</p> </div> </div>	1	+	-	+	-	
	2	+	-	OFF	OFF	
	3	+	-	-	+	
	4	OFF	OFF	-	+	
	5	-	+	-	+	
	6	-	+	OFF	OFF	
	7	-	+	+	-	
	8	OFF	OFF	+	-	
Sequence shown is for half-step excitation. For full step excitation energise as steps 1,3,5,7						

