



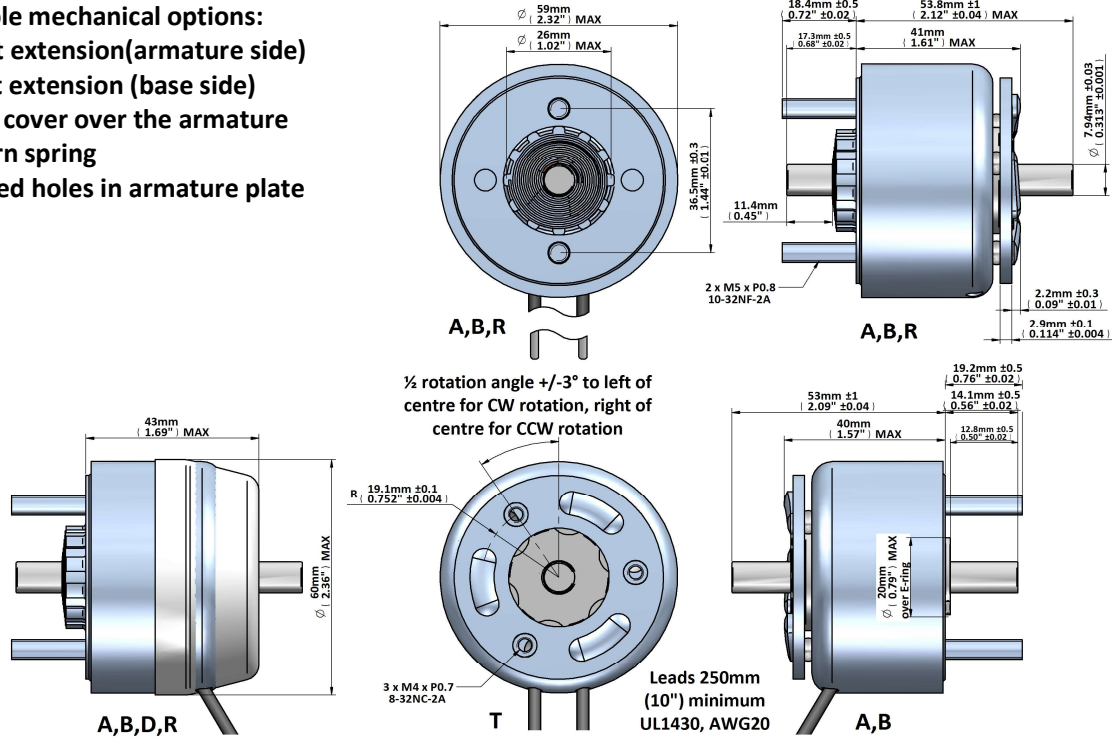
GEEPLUS

Rotary Solenoid size 591

Device drawn in de-energised condition
 Life Expectancy (cycles): >2M (-R), >10M (-RE), >50M (-RL)

Available angle options:
 25°, 35°, 45°, 67,5°, 95° (CW/CCW)
 Mass 615 grammes

Available mechanical options:
 A: shaft extension (armature side)
 B: shaft extension (base side)
 D: dust cover over the armature
 R: return spring
 T: tapped holes in armature plate



Data at 20°C, device connected to heatsink 310x310x3mm aluminum return spring 45 ~ 65 mNm

duty cycle = $\frac{\text{"on" time}}{\text{"on" time} + \text{"off" time}} \times 100\%$		100% cont.	75% or less	50% or less	25% or less	10% or less	
Max. "on" time in seconds		∞	95	87	36	13	
watts at 20°C		32	43	64	128	320	
ampere-turns at 20°		1480	1710	2080	2940	4620	
Gross starting torque at 20°C (Nm)		25°	0,72	0,92	1,33	2,33	3,45
		35°	0,53	0,69	1,03	1,70	2,27
		45°	0,28	0,38	0,55	0,94	1,36
		67,5°	0,25	0,33	0,48	0,78	1,07
		95°	0,14	0,19	0,27	0,47	0,64
AWG no.	resistance Ω±10% (at 20°C)	number of turns	volts DC				
20	1,23	295	6,2	7,1	8,7	12,3	19,3
21	1,75	340	7,6	8,8	10,7	15,1	24
22	2,79	446	9,3	10,7	13,0	18,4	29
23	4,54	567	11,9	13,7	16,7	24	37
24	6,93	690	14,9	17,2	21	30	46
25	12,5	910	20	24	29	40	63
26	18,4	1120	24	28	34	48	76
27	33,4	1500	33	38	46	65	103
28	36,4	1750	39	45	55	78	122
29	74,5	2232	49	57	69	98	154
30	125,5	2940	63	73	89	126	197
31	199	3611	82	94	115	162	255
32	302	4350	103	119	144	204	321
33	417	5010	123	142	173	245	385

Insulation Resistance >100MΩ, 500VDC Megger
 Class E (120°C) insulation class

Dielectric Strength 1000VAC, 50/60Hz, 1 minute

Geepus reserves the right to change specifications without notice

www.geeplus.biz e-mail: info@geeplus.biz