

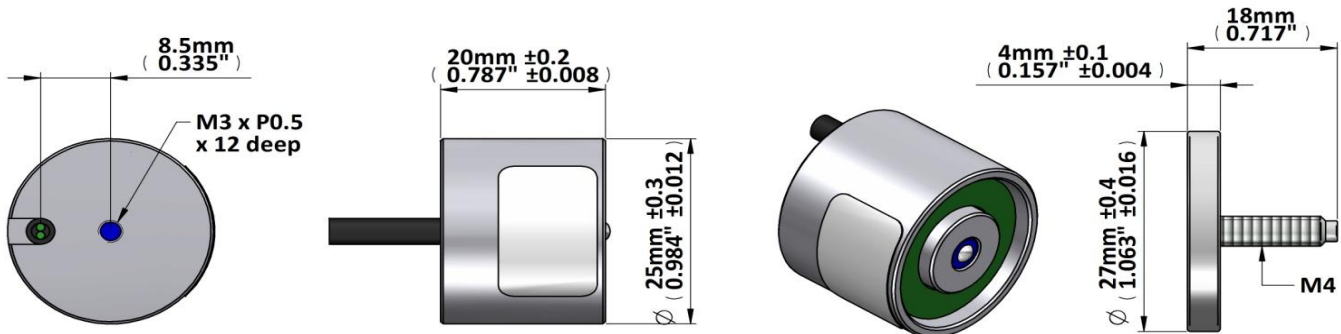
**GEEPLUS****EM0025 & AP27**

General Specifications

| | |
|---|-----------------|
| Insulation Class | Class A (105°C) |
| Insulation Resistance >50MΩ, 500V DC | |
| Dielectric Strength 500V AC, 50/60 Hz, 1 minute | |

| Mass |
|--------|
| EM0025 |
| 60g |
| AP27 |
| 20g |

| Part Number | Coil Resistance | Voltage | Included Options |
|-------------|-----------------|---------|------------------|
| EM0025-12 | 56 Ω | 12 V | |
| EM0025-24 | 220 Ω | 24 V | |
| EME0025-12 | 56 Ω | 12 V | Ejector Pin |
| EME0025-24 | 220 Ω | 24 V | Ejector Pin |



Holding Force Data

| Separation (Airgap) | 0.00 mm | 0.05 mm | 0.10 mm | 0.20 mm | 0.50 mm | 1.00 mm |
|---------------------|---------|---------|---------|---------|---------|---------|
| 2.2W (100% ED) | 110 | 105 | 40 | 14 | | |
| 1.1W (200% ED) | 85 | 77 | 18 | 6 | | |
| 0.6W (400% ED) | 80 | 51 | 5 | 3 | | |

Holding force measured at 20°C to steel plate 8mm thick with surface Ra <1μm
 100% ED Power rating results in coil temperature rise of 65°C max with good heatsinking
 Force exerted by ejector pin in fully compressed condition 5N

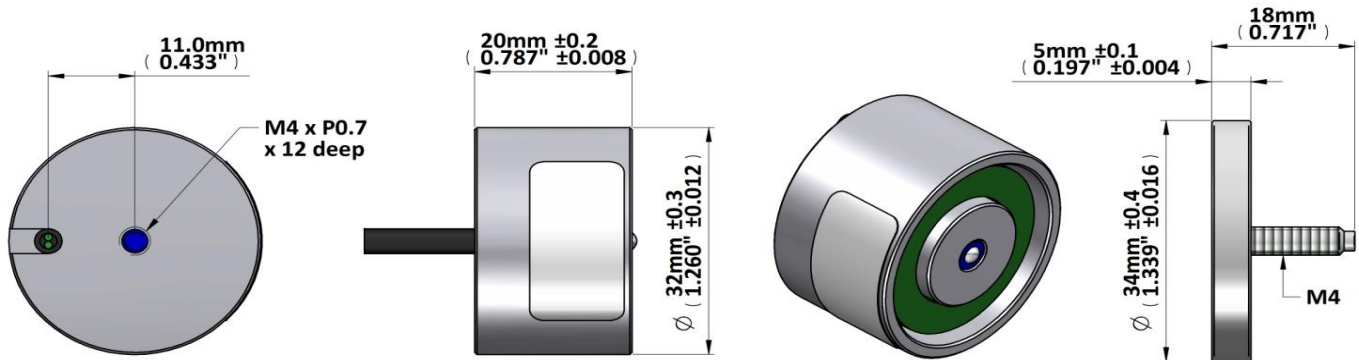
**GEEPLUS****EM0032 & AP34**

General Specifications

| | |
|---|-----------------|
| Insulation Class | Class A (105°C) |
| Insulation Resistance >50MΩ, 500V DC | |
| Dielectric Strength 500V AC, 50/60 Hz, 1 minute | |

| Mass |
|--------|
| EM0032 |
| 95g |
| AP34 |
| 40g |

| Part Number | Coil Resistance | Voltage | Included Options |
|-------------|-----------------|---------|------------------|
| EM0032-12 | 48 Ω | 12 V | |
| EM0032-24 | 190 Ω | 24 V | |
| EME0032-12 | 48 Ω | 12 V | Ejector Pin |
| EME0032-24 | 190 Ω | 24 V | Ejector Pin |



Holding Force Data

| Separation (Airgap) | 0.00 mm | 0.05 mm | 0.10 mm | 0.20 mm | 0.50 mm | 1.00 mm |
|---------------------|---------|---------|---------|---------|---------|---------|
| 3W (100% ED) | 170 | 115 | 97 | 33 | 2 | 0.8 |
| 1.5W (200% ED) | 150 | 60 | 37 | 15 | | |
| 0.75W (400% ED) | 80 | 60 | 21 | 5 | | |

Holding force measured at 20°C to steel plate 8mm thick with surface Ra <1µm
 100% ED Power rating results in coil temperature rise of 65°C max with good heatsinking
 Force exerted by ejector pin in fully compressed condition 5N

Geeplus reserves the right to change specifications without notice
www.geeplus.biz e-mail: info@geeplus.biz

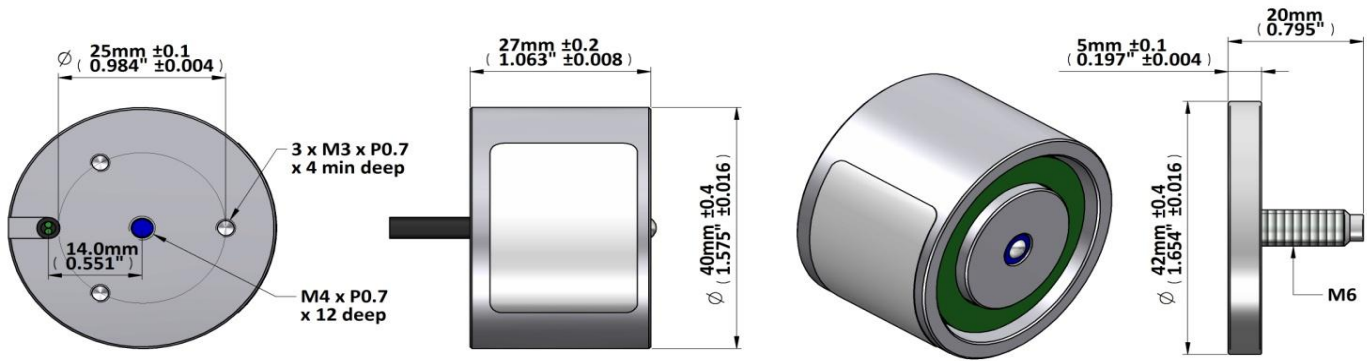
**GEEPLUS****EM0040 & AP42**

General Specifications

| | |
|---|-----------------|
| Insulation Class | Class A (105°C) |
| Insulation Resistance >50MΩ, 500V DC | |
| Dielectric Strength 500V AC, 50/60 Hz, 1 minute | |

| Mass |
|--------|
| EM0040 |
| 220g |
| AP42 |
| 60g |

| Part Number | Coil Resistance | Voltage | Included Options |
|-------------|-----------------|---------|------------------|
| EM0040-12 | 34 Ω | 12 V | |
| EM0040-24 | 135 Ω | 24 V | |
| EME0040-12 | 34 Ω | 12 V | Ejector Pin |
| EME0040-24 | 135 Ω | 24 V | Ejector Pin |



Holding Force Data

| Separation (Airgap) | 0.00 mm | 0.05 mm | 0.10 mm | 0.20 mm | 0.50 mm | 1.00 mm |
|---------------------|---------|---------|---------|---------|---------|---------|
| 4.3W (100% ED) | 440 | 350 | 168 | 101 | 17 | 5 |
| 2.15W (200% ED) | 350 | 120 | 85 | 52 | 8 | 2 |
| 1.1W (400% ED) | 280 | 90 | 85 | 16 | | |

Holding force measured at 20°C to steel plate 8mm thick with surface Ra <1μm
 100% ED Power rating results in coil temperature rise of 65°C max with good heatsinking
 Force exerted by ejector pin in fully compressed condition 7N

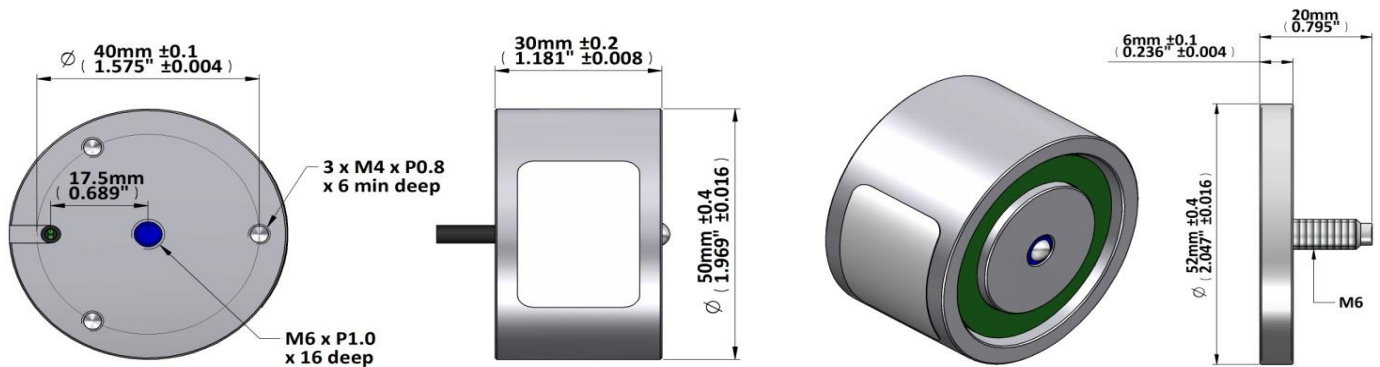
**GEEPLUS****EM0050 & AP52**

General Specifications

| | |
|---|-----------------|
| Insulation Class | Class A (105°C) |
| Insulation Resistance >50MΩ, 500V DC | |
| Dielectric Strength 500V AC, 50/60 Hz, 1 minute | |

| Mass |
|--------|
| EM0050 |
| 0.38kg |
| AP52 |
| 0.11kg |

| Part Number | Coil Resistance | Voltage | Included Options |
|-------------|-----------------|---------|------------------|
| EM0050-12 | 32 Ω | 12 V | |
| EM0050-24 | 130 Ω | 24 V | |
| EME0050-12 | 32 Ω | 12 V | Ejector Pin |
| EME0050-24 | 130 Ω | 24 V | Ejector Pin |



Holding Force Data

| Separation (Airgap) | 0.00 mm | 0.05 mm | 0.10 mm | 0.20 mm | 0.50 mm | 1.00 mm |
|---------------------|---------|---------|---------|---------|---------|---------|
| 4.5W (100% ED) | 875 | 800 | 435 | 170 | 20 | 7.7 |
| 2.25W (200% ED) | 750 | 670 | 264 | 85 | 8 | 2.4 |
| 1.13W (400% ED) | 630 | 420 | 84 | 54 | 3 | |

Holding force measured at 20°C to steel plate 8mm thick with surface Ra <1μm
 100% ED Power rating results in coil temperature rise of 65°C max with good heatsinking
 Force exerted by ejector pin in fully compressed condition 10N

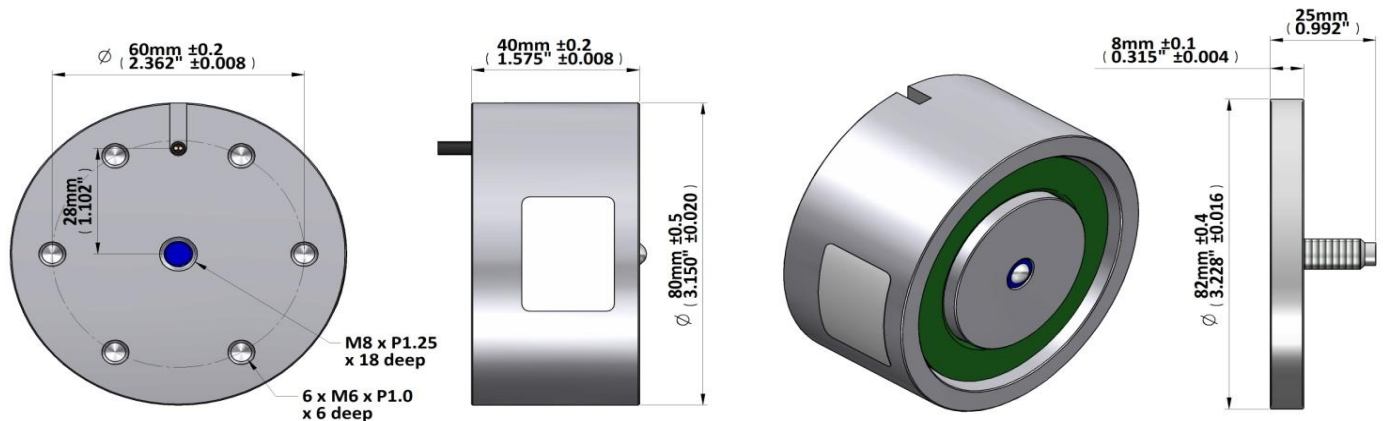


General Specifications

| | |
|---|-----------------|
| Insulation Class | Class A (105°C) |
| Insulation Resistance >50MΩ, 500V DC | |
| Dielectric Strength 500V AC, 50/60 Hz, 1 minute | |

| Mass |
|--------|
| EM0080 |
| 1.30kg |
| AP82 |
| 0.34kg |

| Part Number | Coil Resistance | Voltage | Included Options |
|-------------|-----------------|---------|------------------|
| EM0080-12 | 15 Ω | 12 V | |
| EM0080-24 | 60 Ω | 24 V | |
| EME0080-12 | 15 Ω | 12 V | Ejector Pin |
| EME0080-24 | 60 Ω | 24 V | Ejector Pin |



Holding Force Data

| Separation (Airgap) | 0.00 mm | 0.05 mm | 0.10 mm | 0.20 mm | 0.50 mm | 1.00 mm |
|---------------------|---------|---------|---------|---------|---------|---------|
| 9.5W (100% ED) | 2400 | 2130 | 1640 | 1300 | 325 | 230 |
| 4.8W (200% ED) | 2140 | 1780 | 1430 | 1000 | 240 | 108 |
| 2.4W (400% ED) | 2000 | 1400 | 1030 | 550 | 85 | 29 |

Holding force measured at 20°C to steel plate 8mm thick with surface Ra <1μm
 100% ED Power rating results in coil temperature rise of 65°C max with good heatsinking
 Force exerted by ejector pin in fully compressed condition 13N