



# GEEPLUS

# VM8054 & VM8080

$P_{100}$  is the continuous (100% ED) excitation power at which the coil attains temperature  $T_{max}$  with the part mounted to a massive heatsink at 20°C

$P_{100}$  50 W

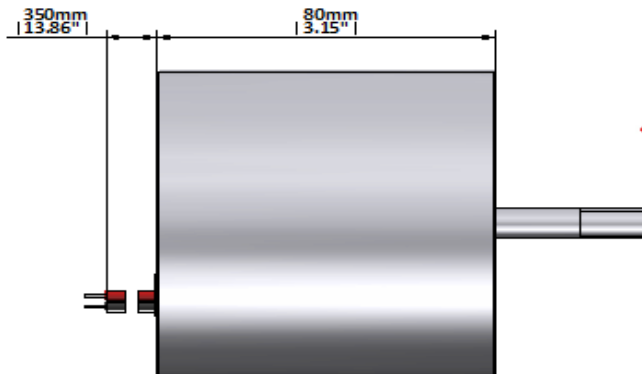
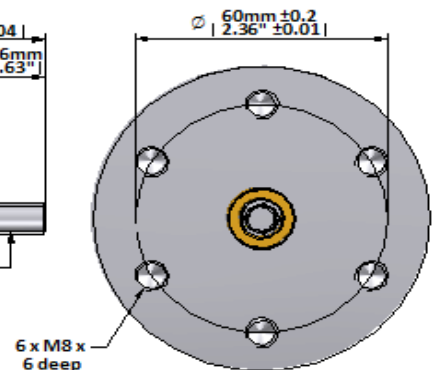
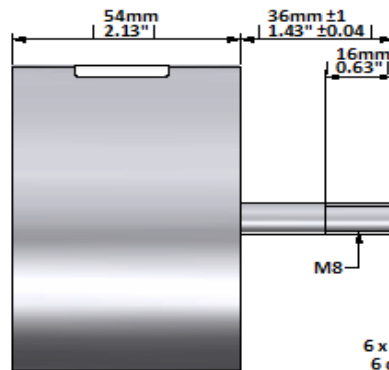
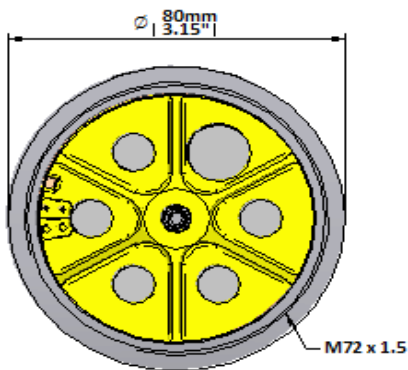
$T_{max}$  130 °C

Total Mass 1700 g

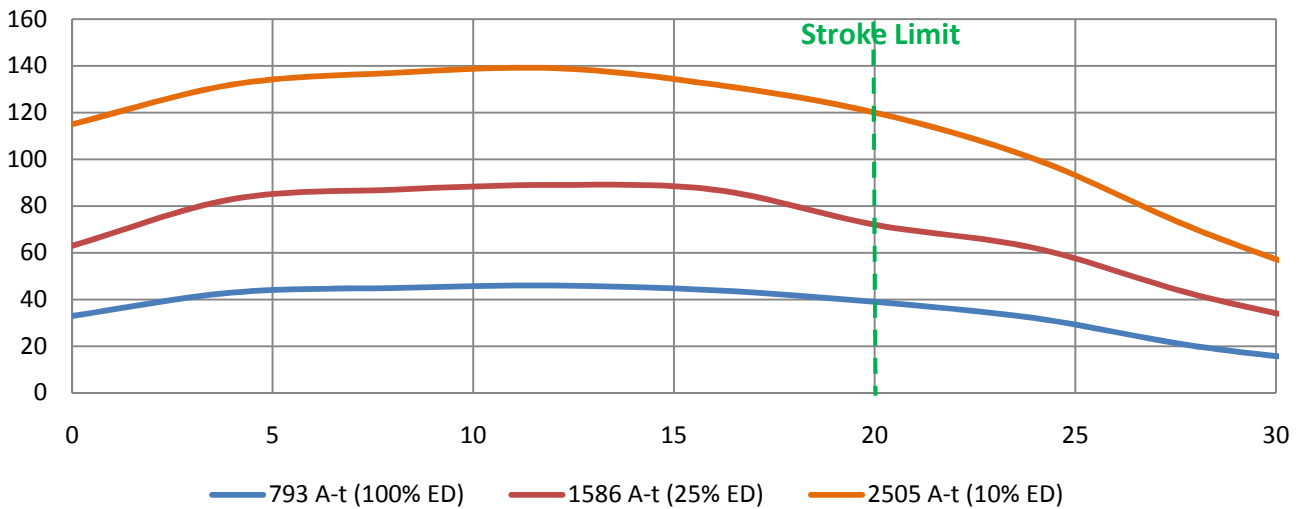
Coil Mass 150 g

Model No.	Resistance $R_{20}$	Inductance	Force Constant	Velocity Constant	Current $I_{100}$
VM80xx-630	2.3 $\Omega$		10 N/A		3.9 A
VM80xx-400	11.5 $\Omega$	10.6 mH	24 N/A	34.0 Vs/m	1.8 A
VM80xx-250	85.0 $\Omega$	77.0 mH	62 N/A	86.0 Vs/m	0.6 A

	Max 'ON' time	Peak Force
100% ED	$\infty$	43.0 N
50% ED	100 s	62.0 N
25% ED	100 s	85.0 N
10% ED	0 s	130.0 N



Force (N) vs Displacement (mm)



Geeplus reserves the right to change specifications without notice

www.geeplus.biz e-mail: info@geeplus.biz