



GEEPLUS

VM5042 & VM5050

P_{100} is the continuous (100% ED) excitation power at which the coil attains temperature T_{max} with the part mounted to a massive heatsink at 20°C

P_{100} 24 W

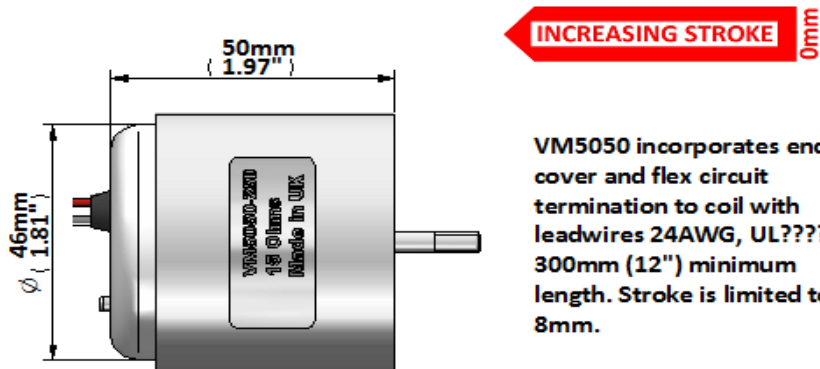
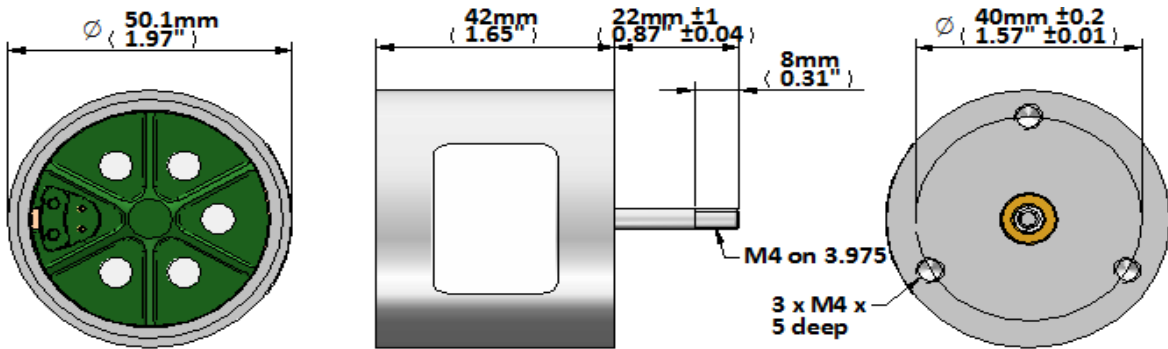
T_{max} 130 °C

Total Mass 480 g

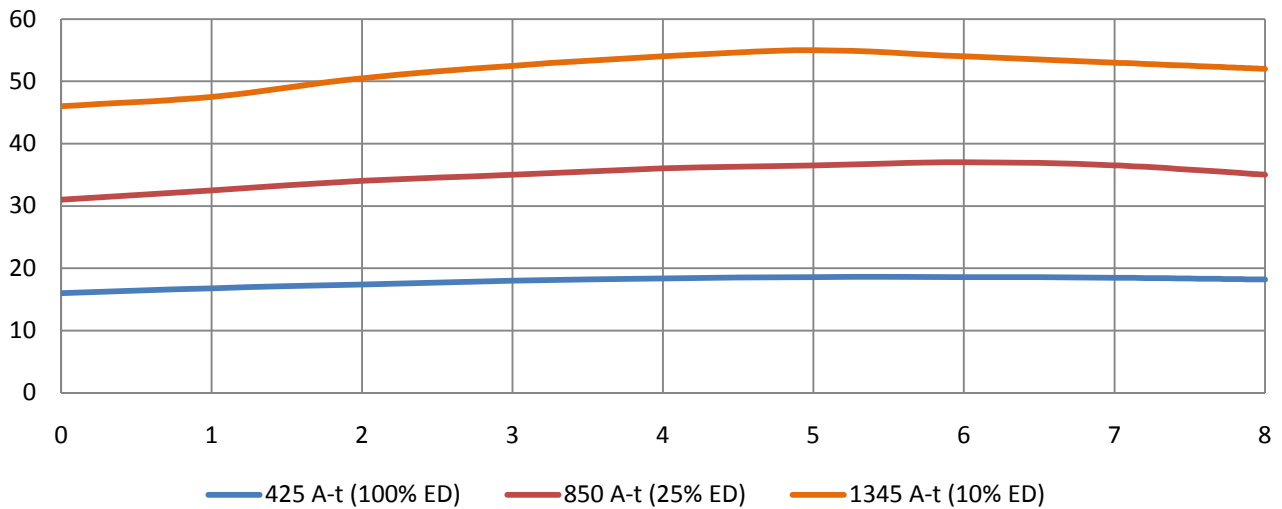
Coil Mass 35 g

Model No.	Resistance R_{20}	Inductance	Force Constant	Velocity Constant	Current I_{100}
VM50xx-400	2.5 Ω	1.3 mH	7 N/A	8.0 Vs/m	2.6 A
VM50xx-250	15.0 Ω	5.6 mH	17 N/A	19.5 Vs/m	1.1 A
VM50xx-190	45.0 Ω	20.0 mH	30 N/A	35.0 Vs/m	0.6 A

	Max 'ON' time	Peak Force
100% ED	∞	19.0 N
50% ED	65 s	27.0 N
25% ED	12 s	37.0 N
10% ED	3 s	54.0 N



Force (N) vs Displacement (mm)



Geeplus reserves the right to change specifications without notice

www.geeplus.biz e-mail: info@geeplus.biz