



GEEPLUS

VM4632

P_{100} is the continuous (100% ED) excitation power at which the coil attains temperature T_{max} with the part mounted to a massive heatsink at 20°C

P_{100} **21 W**

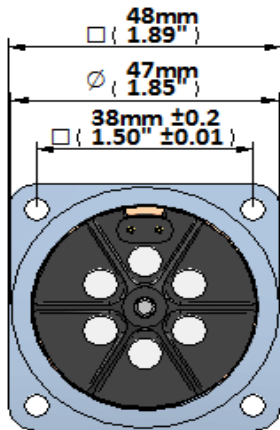
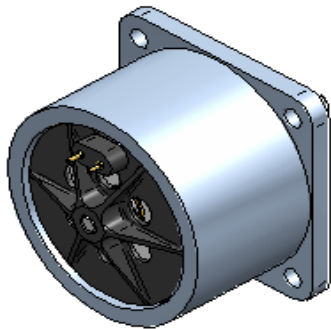
T_{max} **130 °C**

Total Mass 360 g

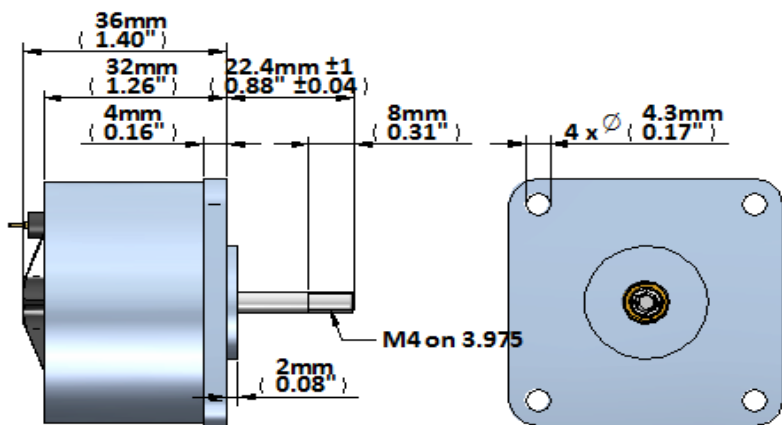
Coil Mass 23 g

Model No.	Resistance R_{20}	Inductance	Force Constant	Velocity Constant	Current I_{100}
VM4632-355	2.5 Ω	0.8 mH	6 N/A	5.3 Vs/m	2.5 A
VM4632-250	10.1 Ω	3.7 mH	13 N/A	12.4 Vs/m	1.2 A
VM4632-200	24.5 Ω	9.7 mH	20 N/A	18.7 Vs/m	0.8 A
VM4632-180	35.0 Ω	12.1 mH	23 N/A	21.0 Vs/m	0.7 A

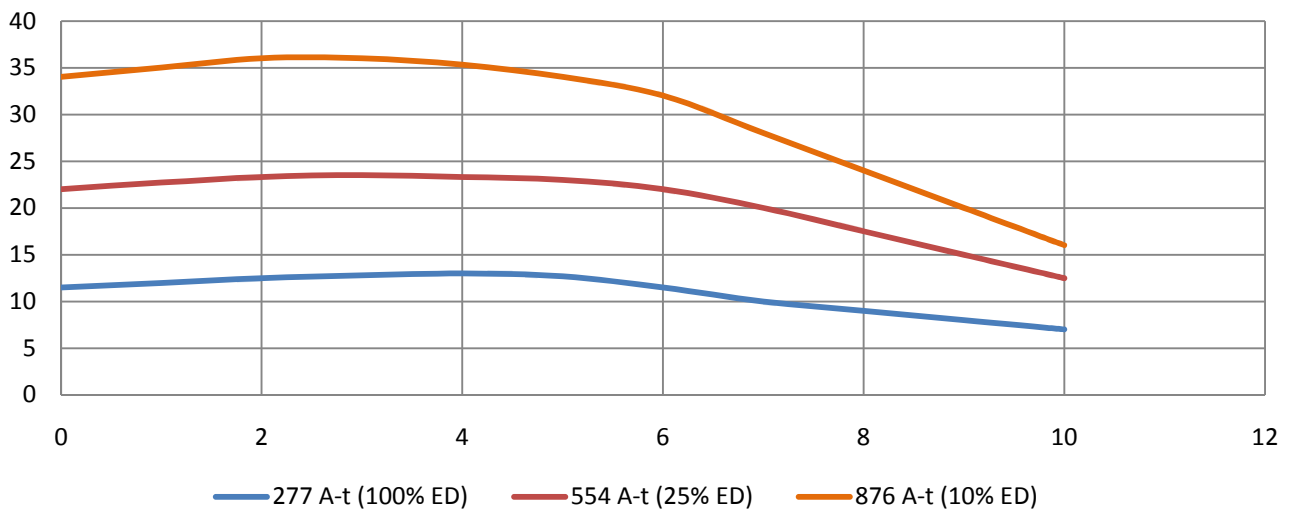
	Max 'ON' time	Peak Force
100% ED	∞	13.0 N
50% ED	27 s	16.0 N
25% ED	10 s	23.5 N
10% ED	3 s	36.0 N



INCREASING STROKE 0mm



Force (N) vs Displacement (mm)



Geeplus reserves the right to change specifications without notice

www.geeplus.biz e-mail: info@geeplus.biz