



GEEPLUS

VM1614

P_{100} is the continuous (100% ED) excitation power at which the coil attains temperature T_{max} with the part mounted to a massive heatsink at 20°C

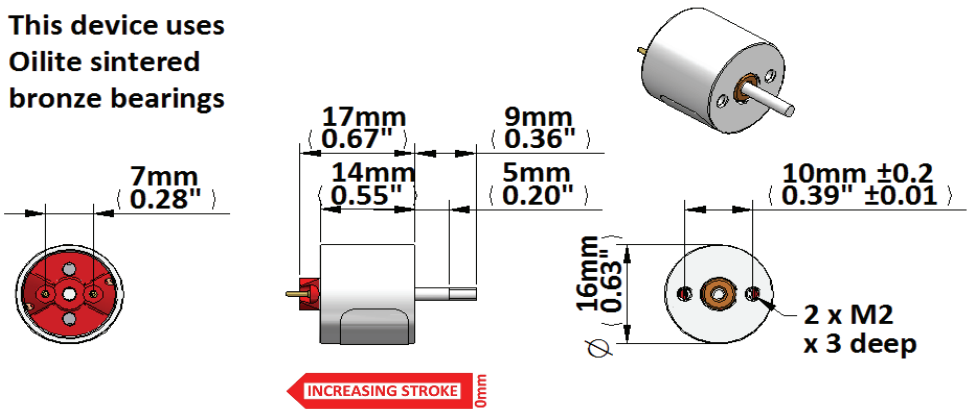
P_{100} 5 W
 T_{max} 130 °C

Total Mass 15 g
 Coil Mass 3 g

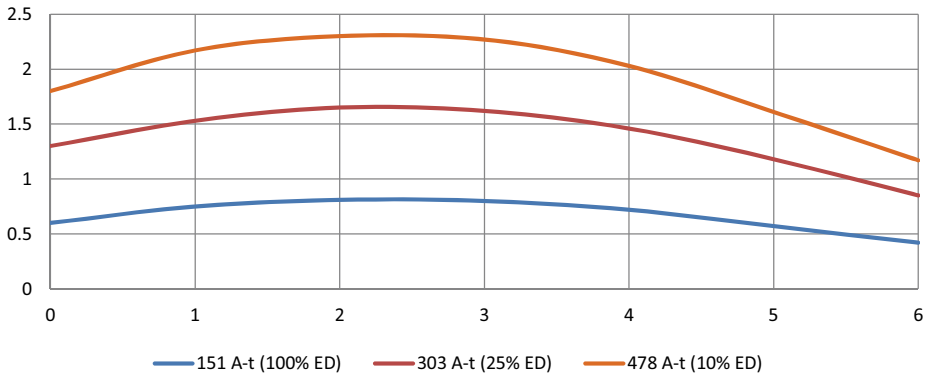
Model No.	Resistance R_{20}	Inductance	Force Constant	Velocity Constant	Current I_{100}
VM1614-200	2.8 Ω	0.2 mH	0.7 N/A	0.7 Vs/m	1129 mA
VM1614-180	4.5 Ω	0.3 mH	0.7 N/A	0.7 Vs/m	891 mA
VM1614-125	16.3 Ω	0.0 mH	1.5 N/A	1.5 Vs/m	468 mA
VM1614-100	43.0 Ω	4.0 mH	2.4 N/A	2.4 Vs/m	288 mA

	Max 'ON' time	Peak Force
100% ED	∞	0.8 N
50% ED	22 s	1.1 N
25% ED	9 s	1.7 N
10% ED	3 s	2.3 N

This device uses Oilite sintered bronze bearings



Force (N) vs Displacement (mm)



Geeplus reserves the right to change specifications without notice
www.geeplus.biz e-mail: info@geeplus.biz