



# GEEPLUS

# VM102P2

$P_{100}$  is the continuous (100% ED) excitation power at which the coil attains temperature  $T_{max}$  with the part mounted to a massive heatsink at 20°C

$P_{100}$  105 W

$T_{max}$  130 °C

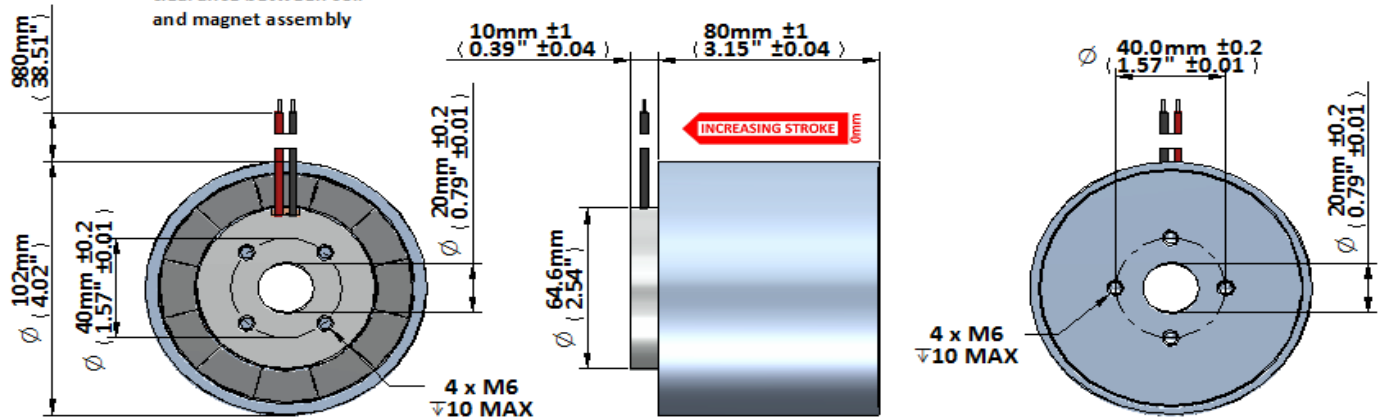
Total Mass 4200 g

Coil Mass 325 g

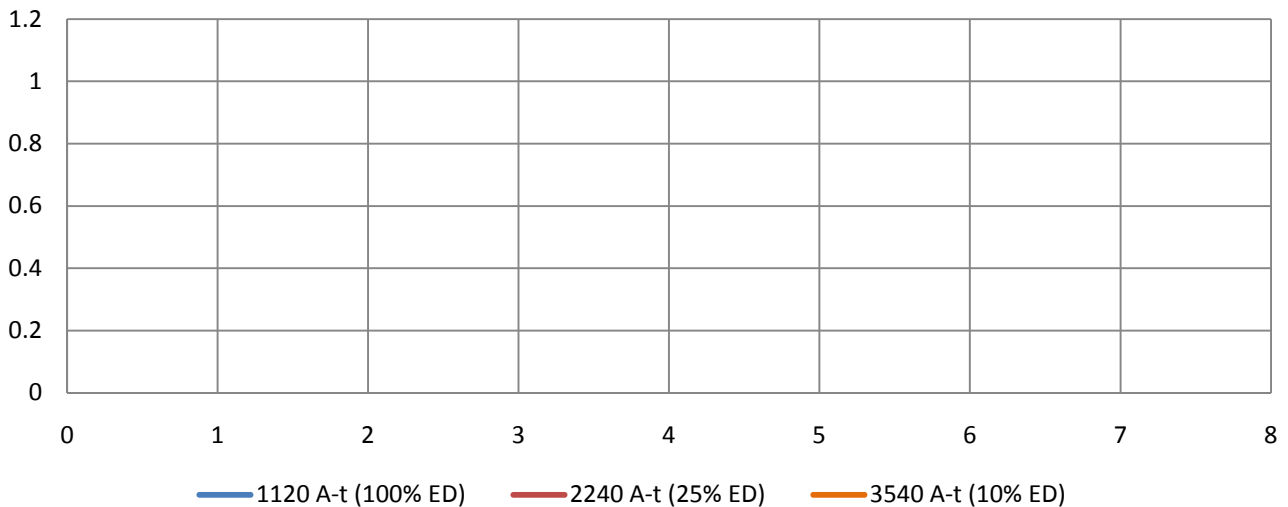
Model No.	Resistance $R_{20}$	Inductance	Force Constant	Velocity Constant	Current $I_{100}$
VM102P2-710	2.1 $\Omega$	0.6 mH	37 N/A	0.0 Vs/m	6.0 A
VM102P2-475	10.5 $\Omega$	3.0 mH	83 N/A	0.0 Vs/m	2.7 A
VM102P2-355	33.4 $\Omega$	9.5 mH	147 N/A	0.0 Vs/m	1.5 A

	Max 'ON' time	Peak Force
100% ED	$\infty$	222.0 N
50% ED	100 s	310.0 N
25% ED	35 s	440.0 N
10% ED	11 s	700.0 N

This part does not include bearings - guidance should be provided in customer application to maintain clearance between coil and magnet assembly



### Force (N) vs Displacement (mm)



Geeplus reserves the right to change specifications without notice

[www.geeplus.biz](http://www.geeplus.biz) e-mail: [info@geeplus.biz](mailto:info@geeplus.biz)